



Model Number

NJ15-M1K-N-V1

Features

- Comfort series
- 15 mm non-flush

Technical Data

General specifications

Switching function	Normally closed (NC)
Output type	NAMUR
Rated operating distance	s_n 15 mm
Installation	non-flush
Assured operating distance	s_a 0 ... 12.15 mm
Reduction factor r_{AI}	0.45
Reduction factor r_{Cu}	0.4
Reduction factor r_{304}	0.8
Output type	2-wire

Nominal ratings

Nominal voltage	U_o	8.2 V (R_i approx. 1 k Ω)
Switching frequency	f	0 ... 100 Hz
Current consumption		
Measuring plate not detected		≥ 3 mA
Measuring plate detected		≤ 1 mA
Switching state indicator		LED, yellow

Ambient conditions

Ambient temperature	-25 ... 100 °C (-13 ... 212 °F)
---------------------	---------------------------------

Mechanical specifications

Connection type	Connector plug M12 x 1, 4-pin
Housing material	PBT
Sensing face	PBT
Degree of protection	IP67

General information

Use in the hazardous area	see instruction manuals
---------------------------	-------------------------

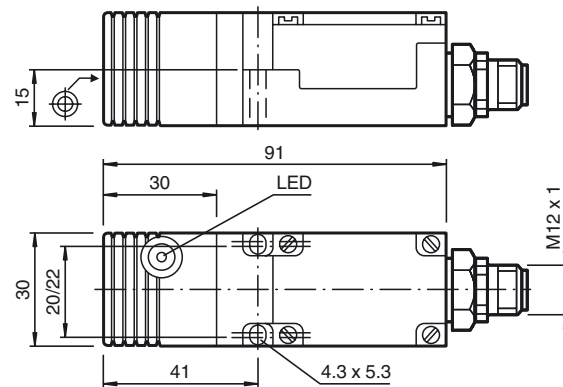
Compliance with standards and directives

Standard conformity	
NAMUR	EN 60947-5-6:2000 IEC 60947-5-6:1999
Electromagnetic compatibility	
Standards	NE 21:2012 EN 60947-5-2:2007 EN 60947-5-2/A1:2012 IEC 60947-5-2:2007 IEC 60947-5-2 AMD 1:2012

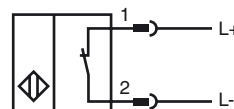
Approvals and certificates

UL approval	cULus Listed, General Purpose
-------------	-------------------------------

Dimensions



Electrical Connection



Pinout



Wire colors in accordance with EN 60947-5-6

1		BN	(brown)
2		BU	(blue)

Data for application in connection with hazardous areas

Equipment protection level	Ga , Gb , Da , Mb
----------------------------	-------------------

Equipment protection level Ga

Type of protection	intrinsic safety
CE marking	CE 0102

Certificates

Appropriate type	NJ15-M1.-N...
ATEX certificate	PTB 00 ATEX 2032 X
ATEX marking	Ex II 1G Ex ia IIC T6...T1 Ga
Standards	EN 60079-0:2012+A11:2013 , EN 60079-11:2012
IECEX certificate	IECEX PTB 11.0021X
IECEX marking	Ex ia IIC T6 Ga
Standards	IEC 60079-0:2004 , IEC 60079-11:2006 , IEC 60079-26:2006

Effective internal inductivity	C_i	≤ 140 nF A cable length of 10 m is considered.
--------------------------------	-------	--

Effective internal inductance	L_i	≤ 100 μ H A cable length of 10 m is considered.
-------------------------------	-------	---

Maximum permissible ambient temperature T_{amb}	Also observe the maximum permissible ambient temperature stated in the general technical data. Keep to the lower of the two values.
---	--

for ATEX	<p>at $U_i = 16$ V , $I_i = 25$ mA , $P_i = 34$ mW , T6 : 56 °C (132.8 °F) T5 : 68 °C (154.4 °F) T4 : 96 °C (204.8 °F) T3 : 96 °C (204.8 °F) T2 : 96 °C (204.8 °F) T1 : 96 °C (204.8 °F)</p> <p>at $U_i = 16$ V , $I_i = 25$ mA , $P_i = 64$ mW , T6 : 49 °C (120.2 °F) T5 : 61 °C (141.8 °F) T4 : 89 °C (192.2 °F) T3 : 89 °C (192.2 °F) T2 : 89 °C (192.2 °F) T1 : 89 °C (192.2 °F)</p> <p>at $U_i = 16$ V , $I_i = 52$ mA , $P_i = 169$ mW , T6 : 28 °C (82.4 °F) T5 : 40 °C (104 °F) T4 : 68 °C (154.4 °F) T3 : 68 °C (154.4 °F) T2 : 68 °C (154.4 °F) T1 : 68 °C (154.4 °F)</p> <p>at $U_i = 16$ V , $I_i = 76$ mA , $P_i = 242$ mW , T6 : 13 °C (55.4 °F) T5 : 25 °C (77 °F) T4 : 53 °C (127.4 °F) T3 : 53 °C (127.4 °F) T2 : 53 °C (127.4 °F) T1 : 53 °C (127.4 °F)</p>
----------	--

for IECEX	<p>at $U_i = 16$ V , $I_i = 25$ mA , $P_i = 34$ mW , T6 : 56 °C (132.8 °F) T5 : 68 °C (154.4 °F) T4 : 96 °C (204.8 °F) T3 : 96 °C (204.8 °F) T2 : 96 °C (204.8 °F) T1 : 96 °C (204.8 °F)</p> <p>at $U_i = 16$ V , $I_i = 25$ mA , $P_i = 64$ mW , T6 : 49 °C (120.2 °F) T5 : 61 °C (141.8 °F) T4 : 89 °C (192.2 °F) T3 : 89 °C (192.2 °F) T2 : 89 °C (192.2 °F) T1 : 89 °C (192.2 °F)</p> <p>at $U_i = 16$ V , $I_i = 52$ mA , $P_i = 169$ mW , T6 : 28 °C (82.4 °F) T5 : 40 °C (104 °F) T4 : 68 °C (154.4 °F) T3 : 68 °C (154.4 °F) T2 : 68 °C (154.4 °F) T1 : 68 °C (154.4 °F)</p> <p>at $U_i = 16$ V , $I_i = 76$ mA , $P_i = 242$ mW , T6 : 13 °C (55.4 °F) T5 : 25 °C (77 °F) T4 : 53 °C (127.4 °F) T3 : 53 °C (127.4 °F) T2 : 53 °C (127.4 °F) T1 : 53 °C (127.4 °F)</p>
-----------	--

Equipment protection level Gb

Type of protection	intrinsic safety	
CE marking	CE 0102	
Certificates		
Appropriate type	NJ15-M1.-N...	
ATEX certificate	PTB 00 ATEX 2032 X	
ATEX marking	Ex II 1G Ex ia IIC T6...T1 Ga	
Standards	EN 60079-0:2012+A11:2013 , EN 60079-11:2012	
IECEX certificate	IECEX PTB 11.0021X	
IECEX marking	Ex ia IIC T6 Ga	
Standards	IEC 60079-0:2004 , IEC 60079-11:2006	
Effective internal inductivity	C_i	≤ 140 nF A cable length of 10 m is considered.
Effective internal inductance	L_i	≤ 100 μ H A cable length of 10 m is considered.
Maximum permissible ambient temperature T_{amb}	Also observe the maximum permissible ambient temperature stated in the general technical data. Keep to the lower of the two values. at $U_i = 16$ V , $I_i = 25$ mA , $P_i = 34$ mW , T6 : 73 °C (163.4 °F) T5 : 88 °C (190.4 °F) T4 : 100 °C (212 °F) T3 : 100 °C (212 °F) T2 : 100 °C (212 °F) T1 : 100 °C (212 °F) at $U_i = 16$ V , $I_i = 25$ mA , $P_i = 64$ mW , T6 : 66 °C (150.8 °F) T5 : 81 °C (177.8 °F) T4 : 100 °C (212 °F) T3 : 100 °C (212 °F) T2 : 100 °C (212 °F) T1 : 100 °C (212 °F) at $U_i = 16$ V , $I_i = 52$ mA , $P_i = 169$ mW , T6 : 45 °C (113 °F) T5 : 60 °C (140 °F) T4 : 89 °C (192.2 °F) T3 : 89 °C (192.2 °F) T2 : 89 °C (192.2 °F) T1 : 89 °C (192.2 °F) at $U_i = 16$ V , $I_i = 76$ mA , $P_i = 242$ mW , T6 : 30 °C (86 °F) T5 : 45 °C (113 °F) T4 : 74 °C (165.2 °F) T3 : 74 °C (165.2 °F) T2 : 74 °C (165.2 °F) T1 : 74 °C (165.2 °F)	

Equipment protection level Da

CE marking	CE 0102	
Certificates		
Appropriate type	NJ15-M1.-N...	
ATEX certificate	PTB 00 ATEX 2032 X	
ATEX marking	Ex II 1D Ex ia IIIC T135°C Da	
Standards	EN 60079-0:2012+A11:2013 , EN 60079-11:2012	
Effective internal inductivity	C_i	≤ 140 μ F A cable length of 10 m is considered.
Effective internal inductance	L_i	≤ 100 μ H A cable length of 10 m is considered.
Maximum permissible ambient temperature T_{amb}	Also observe the maximum permissible ambient temperature stated in the general technical data. Keep to the lower of the two values. at $U_i = 16$ V , $I_i = 25$ mA , $P_i = 34$ mW : 100 °C (212 °F) at $U_i = 16$ V , $I_i = 25$ mA , $P_i = 64$ mW : 100 °C (212 °F) at $U_i = 16$ V , $I_i = 52$ mA , $P_i = 169$ mW : 89 °C (192.2 °F) at $U_i = 16$ V , $I_i = 76$ mA , $P_i = 242$ mW : 74 °C (165.2 °F)	

Equipment protection level Mb

Type of protection	intrinsic safety	
Certificates		
Appropriate type	NJ15-M1.-N...	
IECEX certificate	IECEX PTB 11.0021X	
IECEX marking	Ex ia I	
Standards	IEC 60079-0:2004 , IEC 60079-11:2006	
Effective internal inductivity	C_i	≤ 140 nF A cable length of 10 m is considered.
Effective internal inductance	L_i	≤ 100 μ H A cable length of 10 m is considered.
Maximum permissible ambient temperature T_{amb}	Also observe the maximum permissible ambient temperature stated in the general technical data. Keep to the lower of the two values. at $U_i = 16$ V , $I_i = 25$ mA , $P_i = 34$ mW : 100 °C (212 °F) at $U_i = 16$ V , $I_i = 25$ mA , $P_i = 64$ mW : 100 °C (212 °F) at $U_i = 16$ V , $I_i = 52$ mA , $P_i = 169$ mW : 89 °C (192.2 °F) at $U_i = 16$ V , $I_i = 76$ mA , $P_i = 242$ mW : 74 °C (165.2 °F)	

Release date: 2017-12-08 15:04 Date of issue: 2017-12-08 306794_eng.xml